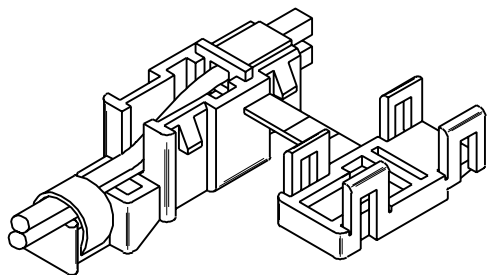
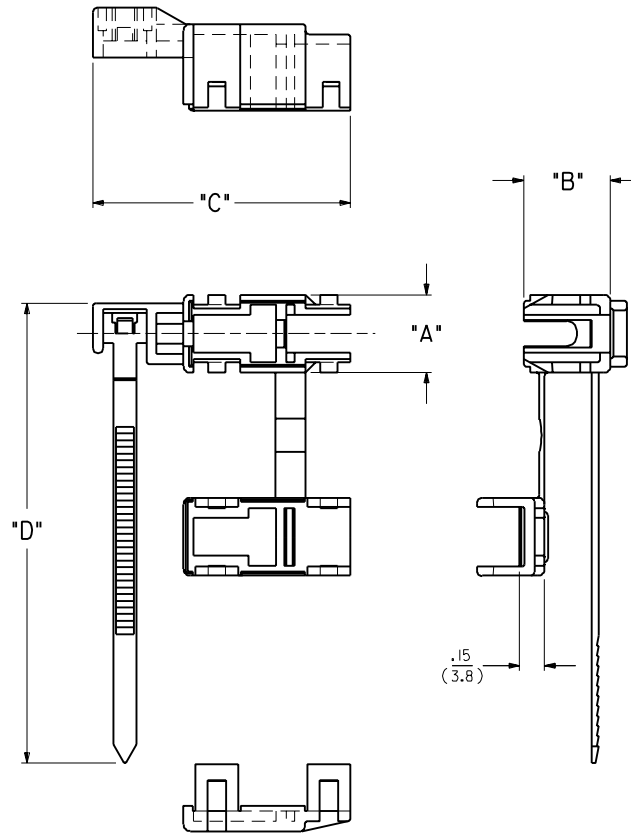


2 CIRCUIT PART (CLOSED)



2 CIRCUIT PART (OPEN)



NOTES:

- 1) THIS PART IS TO BE USED ONLY WITH MINI-FIT JR. SERIES CONNECTORS WITHOUT MOUNTING EARS, PER CHART. SEE PAGE 2.
- 2) THIS PART CAN BE USED WITH A STANDARD TIE-STRAP GUN.
- 3) ALL DIMENSIONS ARE FOR REFERENCE ONLY.
- 4) IF THIS PRODUCT IS STORED IN AN ENVIRONMENT WITH A RELATIVE HUMIDITY OF LESS THAN 50%, MOISTURE MUST BE ADDED AS PER THE FOLLOWING:
 - A) ADD 0.4 oz. OF DEIONIZED WATER PER 1.0 lb. OF PRODUCT
 - B) RESEAL PLASTIC BAG AFTER MOISTURIZATION

G2	REVISED LICR2000-0297 L.MOSLEY 99/10/28
G1	REVISED ECN U70573 RUSHTON 96/12/4
G	REMOVED 10 CKT. PART, ECN U31520 GEP 11-8-93
F	REVISED PER ECR U10256 1-11-91 RJF
E2	ADDED E.D.P. NO. PER ERO 29246 11-28-89 RF
E1	REV. A & B ADDED DIM D, ERO 29152 GEP 11-8-89 RJF
E	REV. & ADDED 3AA & 3AB, ECN U90966 GEP 8-15-89 RJF
DI	REVISED PER ERO 28534 6-16-89 RJF
D	REDRAWN ON CAD 05-01-89 RHR/DMF

G	2	G2
G1	1	G2
MFG.	SH.	REV.
LTR.	REVISONS	

DIMENSIONS SHOWN (METRIC) INCH		UNLESS OTHERWISE SPECIFIED TOLERANCES: ANGULAR ± 1/2°		TITLE	
INCH		METRIC		STRAIN RELIEF FOR MINI-FIT PLUGS AND RECEPTACLES	
3 PLACE	± .---	± .---	± .---	MOLEX INCORPORATED	
2 PLACE	± .---	± .---	± .---	SHEET NO. DATE	
1 PLACE	± .---	± .---	± .---	1 OF 2 05/01/89	
DRAFT WHERE APPLICABLE MUST REMAIN WITHIN DIMENSIONS				PART NO. FILE NAME	
DRAWN BY: DMF				SD41995X1	
CHECKED BY: RHR				DGN	
APP'D BY: RAS				SCALE 2 : 1	
DRWG. NO. SD-41995-***				REV. SIZE	
THIS DRAWING CONTAINS INFORMATION THAT IS PROPRIETARY TO MOLEX INC. AND SHOULD NOT BE USED WITHOUT WRITTEN PERMISSION.				CP C	

	13	12	11	10	9	8	7	6	41995	4	3	2	1		
	PART NO.	ENG. NO.	FOR USE WITH CONNECTOR NO.	CKT. SIZE	DIM. "A"	DIM. "B"	DIM. "C"	DIM. "D"							
J	15-04-0340	41995-2AA	5557-02R* 5559-02P*	2	.47/(11.9)	.52/(13.2)	1.54/(39.1)	2.75/(69.8)							J
	15-04-0294	41995-4AA	5557-04R* 5559-04P*	4	.63/(16.0)	.52/(13.2)	1.89/(48.0)	4.25/(107.9)							
I	15-04-0296	41995-6AA	5557-06R* 5559-06P*	6	.80/(20.2)	.52/(13.2)	1.89/(48.0)	3.25/(82.55)							I
	15-04-0343	41995-8AA	5557-08R* 5559-08P*	8	.97/(24.6)	.52/(13.2)	1.89/(48.0)	4.25/(107.9)							
H	15-04-0345	41995-12AA	5557-12R* 5559-12P*	12	1.30/(33.0)	.52/(13.2)	1.89/(48.0)	4.25/(107.9)							H
	NOT TOOLED	41995-14AA	5557-14R* 5559-14P*	14	1.46/(37.0)	.64/(16.2)	1.89/(48.0)	4.25/(107.9)							
	NOT TOOLED	41995-16AA	5557-16R* 5559-16P*	16	1.62/(41.1)	.64/(16.2)	1.89/(48.0)	4.25/(107.9)							
G	NOT TOOLED	41995-18AA	5557-18R* 5559-18P*	18	1.79/(45.4)	.80/(20.3)	2.04/(51.8)	4.25/(107.9)							G
	NOT TOOLED	41995-20AA	5557-20R* 5559-20P*	20	1.95/(49.6)	.80/(20.3)	2.04/(51.8)	4.25/(107.9)							
	NOT TOOLED	41995-22AA	5557-22R* 5559-22P*	22	2.12/(53.7)	.80/(20.3)	2.04/(51.8)	4.25/(107.9)							
F															F
	NOT TOOLED	41995-2AB	5557-02R* 5559-02P*	2	.47/(11.9)	.52/(13.2)	1.54/(39.1)	2.75/(69.8)							
E	15-04-9341	41995-4AB	5557-04R* 5559-04P*	4	.63/(16.0)	.52/(13.2)	1.89/(48.0)	4.25/(107.9)							E
	15-04-9342	41995-6AB	5557-06R* 5559-06P*	6	.80/(20.3)	.52/(13.2)	1.89/(48.0)	4.25/(107.9)							
	15-04-9343	41995-8AB	5557-08R* 5559-08P*	8	.97/(24.6)	.52/(13.2)	1.89/(48.0)	4.25/(107.9)							
D															D
	NOT TOOLED	41995-12AB	5557-12R* 5559-12P*	12	1.30/(33.0)	.52/(13.2)	1.89/(48.0)	4.25/(107.9)							
	NOT TOOLED	41995-14AB	5557-14R* 5559-14P*	14	1.46/(37.0)	.64/(16.2)	1.89/(48.0)	4.25/(107.9)							
	NOT TOOLED	41995-16AB	5557-16R* 5559-16P*	16	1.62/(41.1)	.64/(16.2)	1.89/(48.0)	4.25/(107.9)							
C	NOT TOOLED	41995-18AB	5557-18R* 5559-18P*	18	1.79/(45.4)	.80/(20.3)	2.04/(51.8)	4.25/(107.9)							C
	NOT TOOLED	41995-20AB	5557-20R* 5559-20P*	20	1.95/(49.6)	.80/(20.3)	2.04/(51.8)	4.25/(107.9)							
	NOT TOOLED	41995-22AB	5557-22R* 5559-22P*	22	2.12/(53.7)	.80/(20.3)	2.04/(51.8)	4.25/(107.9)							
B															B
A															A

LEGEND:

41995-***

BASE NUMBER

CIRCUIT SIZE (2-22)

MATERIAL
A = NYLON 6/6, U.L. 94V-2

COLOR
A = NATURAL (NOT DYED)
B = BLACK (DYED)

41995

G	SEE SHT. 1	<small>DIMENSIONS SHOWN METRIC INCH UNLESS OTHERWISE SPECIFIED TOLERANCES ANGLES IN °/P2</small> <table border="1"> <tr> <th></th> <th>INCH</th> <th>METRIC</th> </tr> <tr> <td>3 PLACE</td> <td>± .001</td> <td>± .025</td> </tr> <tr> <td>2 PLACE</td> <td>± .005</td> <td>± .127</td> </tr> <tr> <td>1 PLACE</td> <td>± .015</td> <td>± .381</td> </tr> </table> <small>DRAFT WHERE APPLICABLE MUST REMAIN WITHIN DIMENSIONS</small>		INCH	METRIC	3 PLACE	± .001	± .025	2 PLACE	± .005	± .127	1 PLACE	± .015	± .381
	INCH		METRIC											
3 PLACE	± .001		± .025											
2 PLACE	± .005		± .127											
1 PLACE	± .015		± .381											
F	SEE SHT. 1													
E2	SEE SHT. 1													
E1	SEE SHT. 1													
E	SEE SHT. 1													
D1	SEE SHT. 1													
D	SEE SHT. 1													
G2	SEE SHEET #1	<small>DRWG. BY: DMF</small> <small>CHK'D. BY: RHR</small> <small>APP'D. BY: RAS</small> <small>SCALE: --:--</small>												
LTR.	REVISIONS	LTR.	REVISIONS											

<small>REVISIONS</small> 2 1		<small>REVISIONS</small> 2 1	
<small>MOLEX INCORPORATED</small> LITTLE ROCK, AR 72616 U.S.A.		<small>SHEET NO. 2</small> <small>DATE 05/01/89</small>	
<small>PART NO. SD-41995-***</small>		<small>DRWG. NO. CP C</small>	
<small>THIS DRAWING CONTAINS INFORMATION THAT IS PROPRIETARY TO MOLEX INC. AND SHOULD NOT BE USED WITHOUT WRITTEN PERMISSION.</small>			

NO P.S.1